

Model:RS-KX12

30 CM Subwoofer Speaker



SPECIFICATIONS

General Data		Unit
Overall Dimensions	329x184	mm
Nominal Power Handling	2000	W
Maximum Power	4000	W
Sensitivity	84.5	db
Frequency Response	32-500	Hz
Cone Material	Non Pressed Paper Cone	
Basket	Aluminium	
Net Weight	18	kg

FEATURES

- * Aluminium Basket
- * Non Pressed Paper Cone With Treated Foam Surround
- * High Temperature 3.0" Voice Coil
- * Ferrite Magnet Structure

Electrical Data

Nominal Impedance	2X2/2X4	ohm
DC Resistance	2X1.8/2X3.6	ohm

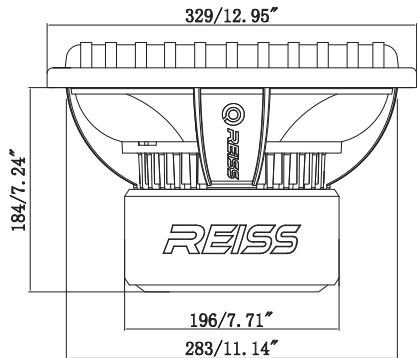
Voice Coil and Magnet Parameters

Voice Coil Diameter	76.5	mm
Voice Coil Height	55	mm
HE magnetic Gap Height	16	mm
Voice Coil bobbin	AL	
Number of Layers	4L	
Magnet System Type	Ferrite	

T-S Parameters

Suspension Compliance	63/65.7	Cms
Mechanical Q Factor	2.68/2.35	Qms
Electrical Q Factor	0.53/0.58	Qes
Total Q Factor	0.44/0.49	Qts
Moving Mass	318/305	Mms
Eq.Cas AIR Load	21.6/20.2	Vas
Resonant Frequency	35.5/36.3	Fs
Effective Piston Area	491cm ²	SD

Dimensions



Model:RS-KX15

38 CM Subwoofer Speaker



SPECIFICATIONS

General Data		Unit
Overall Dimensions	408x219	mm
Nominal Power Handling	2000	W
Maximum Power	4000	W
Sensitivity	87.5	db
Frequency Response	30-500	Hz
Cone Material	Non Pressed Paper Cone	
Basket	Aluminium	
Net Weight	20	kg

FEATURES

- * Aluminium Basket
- * Non Pressed Paper Cone With Treated Foam Surround
- * High Temperature 3.0" Voice Coil
- * Ferrite Magnet Structure

Electrical Data		
Nominal Impedance	2X2/2X4	ohm
DC Resistance	2X1.8/2X3.6	ohm

Voice Coil and Magnet Parameters		
Voice Coil Diameter	76.5	mm
Voice Coil Height	55	mm
HE magnetic Gap Height	16	mm
Voice Coil bobbin	AL	
Number of Layers	4L	
Magnet System Type	Ferrite	

T-S Parameters		
Suspension Compliance	49.8/51.3	Cms
Mechanical Q Factor	3.25/2.97	Qms
Electrical Q Factor	0.51/0.55	Qes
Total Q Factor	0.44/0.48	Qts
Moving Mass	332/320	Mms
Eq.Cas AIR Load	46.3/43.5	Vas
Resonant Frequency	32.5/33	Fs
Effective Piston Area	779cm ²	SD

Dimensions

