

Model: RS-HK12

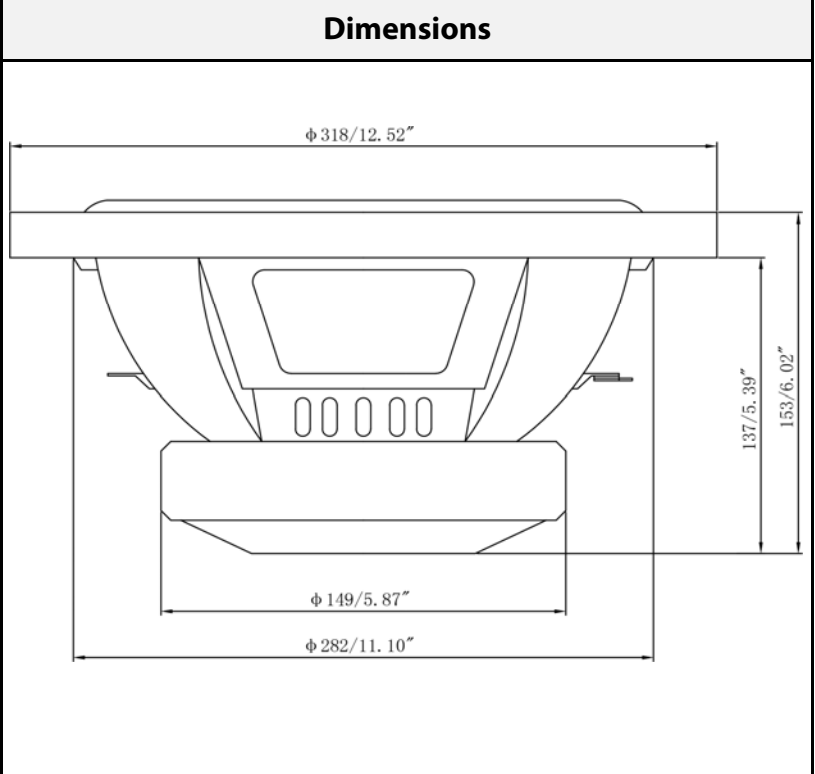
12 INCH Car Subwoofer



SPECIFICATIONS

General Data		Unit	FEATURES
Overall Dimensions	Ø318 x 153	mm	Stamp Steel Basket
Nominal Power Handling	450	W	Paper Cone With Stitching, Butyl Rubber Surround
Maximum Power	1000	W	Polypropylene Dust Cap
Sensitivity	90	dB	High Temperature 4 Layer Black Aluminium Voice Coil
Frequency Response	36~1000	Hz	High Performance Ferrite Magent Structure

Cone Material	Paper	
Basket	Steel	
Net Weight	4.96	kg



Electrical Data		
Nominal Impedance	4	Ohm
DC Resistance	3.2	Ohm

Voice Coil and Magnet Parameters		
Voice Coil Diameter	50.95	mm
Voice Coil Height	22	mm
Magnetic Gap Height	8	mm
Voice Coil Robbin	Kapton	
Number of Layers	4L	

T-S Parameters		
Suspension Compliance	190.648 μ M/N	Cms
Mechanical Q Factor	4.921	Qms
Electrical Q Factor	0.448	Qes
Total Q Factor	0.411	Qts
Moving Mass	102.040g	Mms
Eq. Cas AIR Loaded	69.437L	Vas
Resonant Frequency	36.084Hz	Fs
Effective Piston Area	506.45cm ²	SD

