

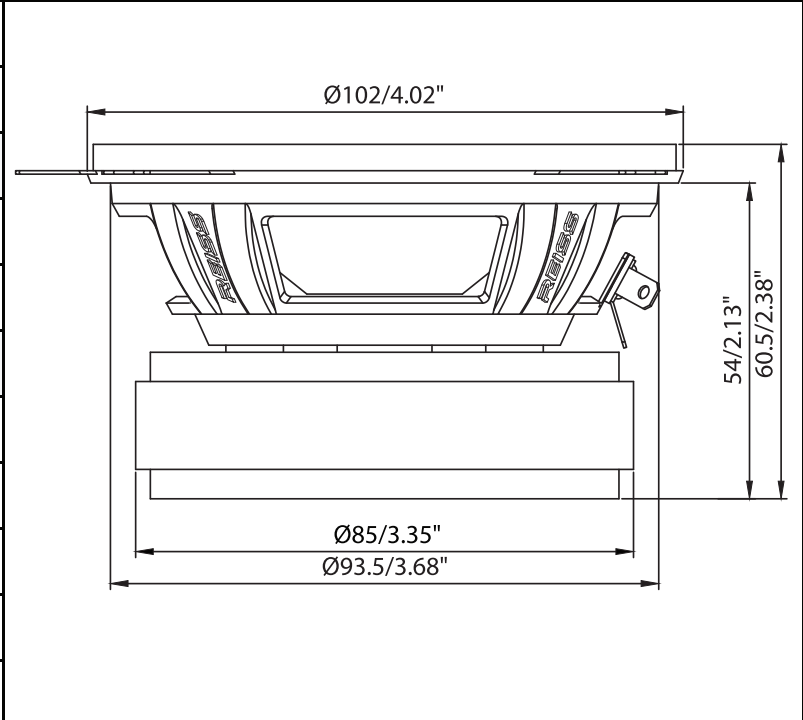
**SPECIFICATIONS**

General Data		Unit
Overall Dimensions	Ø102x 60	mm
Nominal Power Handling	60W	W
Maximum Power	120W	W
Sensitivity	90	dB
Frequency Response	280~20000	Hz

FEATURES
Steel Basket
Woolen & Paper Composite Cone, Treated Cloth Surround
Paper Dustcap
High Temperature CCAW 1" Voice Coil
High Performance 12.6oz Ferrite Magnet Structure

Cone Material	Woolen & Paper Composite	
Basket	Steel	
Net Weight	0.84	kg

**Dimensions**



Electrical Data		
Nominal Impedance	4	Ohm
DC Resistance	3.2	Ohm

Voice Coil and Magnet Parameters		
Voice Coil Diameter	25.5	mm
Voice Coil Height	6.5	mm
Magnetic Gap Height	5	mm
Voice Coil Robbin	Kapton	
Number of Layers	2	

T-S Parameters		
Suspension Compliance	83.977µM/N	Cms
Mechanical Q Factor	6.938	Qms
Electrical Q Factor	1.862	Qes
Total Q Factor	1.468	Qts
Moving Mass	3.676	Mms
Eq. Cas AIR Loaded	0.332L	Vas
Resonant Frequency	286.438Hz	Fs
Effective Piston Area	52.783cm <sup>2</sup>	SD

