

harward

HR-MX1H OTO TEYP

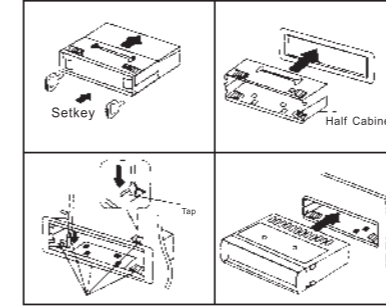


4x50 Watt



Installation Precautions:

- 1.This unit shall be installed by professional personnels, if possible.
- 2.Please refer to the instruction manual for electrical application, wrong operation will cause damage to the unit.
- 3.Apply the power cord after all connections of the unit are set.
- 4.Insulate all exposed wires to avoid short circuit.
- 5.All loosen wires should be fixed after installation.
- 6.Read the application and operating carefully instructions for each part before installation.
- 7.The unit is designed for 12V-15V negative ground operation system only, make sure your vehicle is connected to such negative ground electrical system.
- 8.Be sure to connect the unit in exact according to the lead-diagram, otherwise malfunctions or damages would be possible.

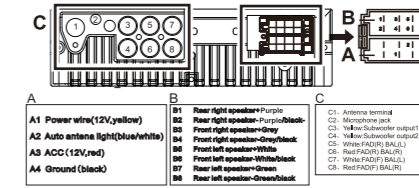


WARNINGS:

- * SHOULD ANTENNA LINE (BLUE ONE) BE GROUNDED OR WRONGLY CONNECTED, THE WHOLE UNIT WOULD BURN OUT OR FAIL TO TURN ON.
- * SHOULD POWER LINE (RED ONE) BE GROUNDED OR WRONGLY CONNECTED, THE WHOLE UNIT WOULD BURN OUT OR FAIL TO TURN ON OR LIGHT OUT.
- * SHOULD MEMORY LINE (YELLOW ONE) BE WRONGLY CONNECTED, THE WHOLE UNIT WOULD BURN OUT OR FAIL TO TURN ON OR LIGHT OUT.
- * THE SPEAKERS SHOULD BE CORRECTLY WIRED, OTHERWISE, THE SPEAKER AND THE AMPLIFIER IC WOULD BURN OUT OR SOUNDLESS.

1

Wiring Connections



- 1.This unit is applicable to 12V direct-current negative ground electrical system only.
- 2.In order to avoid short circuit, please disconnect the wire connecting terminal of the car storage battery before all applications of the unit are completed.
- 3.Please note that the yellow directing wire is connected to the anode terminal(+) or the BAT terminal.
- 4.Change the fuse, the specifications of the fuse for both the automobile and the unit shall be the same.
- 5.Excellent 4-8 ohm speaker is required for perfect performance.

2

SPECIFICATIONS

FM tuner

Frequency range:.....87.5-108MHz
Medium frequency:.....10.7MHz ±0.3%
Signal/Noise ratio:.....50dB
Radio sensitivity:.....10dB

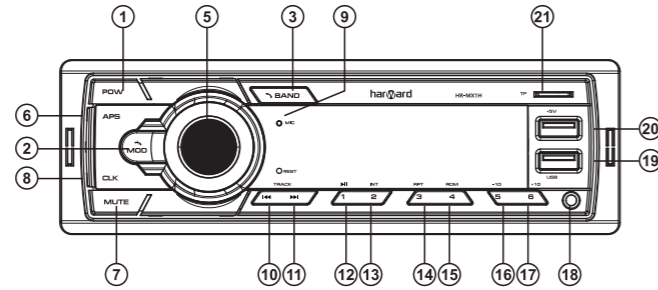
USB/SD

Frequency response.....20Hz-20KHz
Signal/Noise ratio.....>50dB
Harmony distortion T.H.D.....<3%(1KHz)

Others

MAX. Output power.....4x50w
Supply voltage.....12-15VDC negative ground
Speaker impedance.....4-8 ohm /ch
Dimensions.....177x115x50mm
Weight.....0.79kg

Front Panel Controls and Functions



- 1.POW: Press it for power on/off.
- 2.MODE:Press it for MODE switch. When it is on Bluetooth calling, press it for hang up.
- 3.BAND: When it is on radio mode, press it to choose radio band(FM1/FM2/FM3); When it is on Bluetooth calling, press it to answer the call.
- 4.EQ: Short press it set audio effect for ROCK,JAZZ,CLASS,COUNT EQOFF, POP. Long press it for LOUND ON/OFF
- 5.Multi-function buttons
 - 5.1 Rotate the button to adjust the volume.
 - 5.2 Short press the button time to time, it will show BAS,TRE,BAL,FAD,EQ (ROCK, PO...),LOUNDON. Rotate the volume to show the option, then enter the button to confirm your setting.
 - 5.3 Subwoofer on/off (Rotate the volume button)
 - 5.4 LED lighting setting. When you see AUTO on the display, rotate the volume button to show the color, then press it to select the color you like.

3

- 6.APS: When it playing USB/SD, press it for tracks selection. Rotate volume control you can choose the track number you like.
- 7.MUTE: Mute on/off
- 8.CLK setting: Long press this button,the number will be flashing. Rotate the volume button to set the hour. Press volume button to confirm. Then set the seconds at the same way.
- 9.MIC: Microphone.
- 10.Press it for previous track.
- 11.Press it for next track.
- 12.Number "1":When it is on radio mode, long press it for station storage. When it is on playing mode, short press it for pause.
- 13.Number "2": When it is on radio mode, long press it for station storage. When it is on playing mode, short press it for tracks browse.
- 14.Number "3": When it is on radio mode, long press it for station storage. When it is on playing mode, short press it repeat playing.
- 15.Number "4": When it is on radio mode, long press it for station storage. When it is on playing mode, short press it random playing.
- 16.Number "5": When it is on radio mode, long press it for station storage. When it is on playing mode, short press it random playing. When it is on MP3 playing mode, short press it for "-10" track.
- 17.Number "6": When it is on radio mode, long press it for station storage. When it is on playing mode, short press it for "+10" track.
- 18.AUX audio input.
- 19.USB playing slot.
- 20.USB slot for Charge.
- 21.TF card slot.

APP CONTROL CONNECTION:

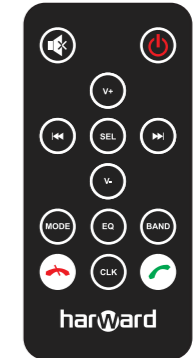
Scan the following QR code to download, install and use the APP control (connect via Bluetooth before using this function).



4

Kumanda Kullanım Kılavuzu

- 1.Ses kesme
- 2.Güç açma/kapama
- 3.Ses +
- 4.Ses -
- 5.Önceki parça
- 6.Sonraki parça
- 7.Radyo, USB, SD, Bluetooth, AUX seçim
- 8.EQ: Seçim BAS,TRE,BAL,FAD
- 9.BAND: BAND1, BAND2,BAND3 seçim
- 10.Bluetooth çağrı karşılama eller serbest
- 11.CLK: Saat ayarı
- 12.Bluetooth arama cevaplama



5